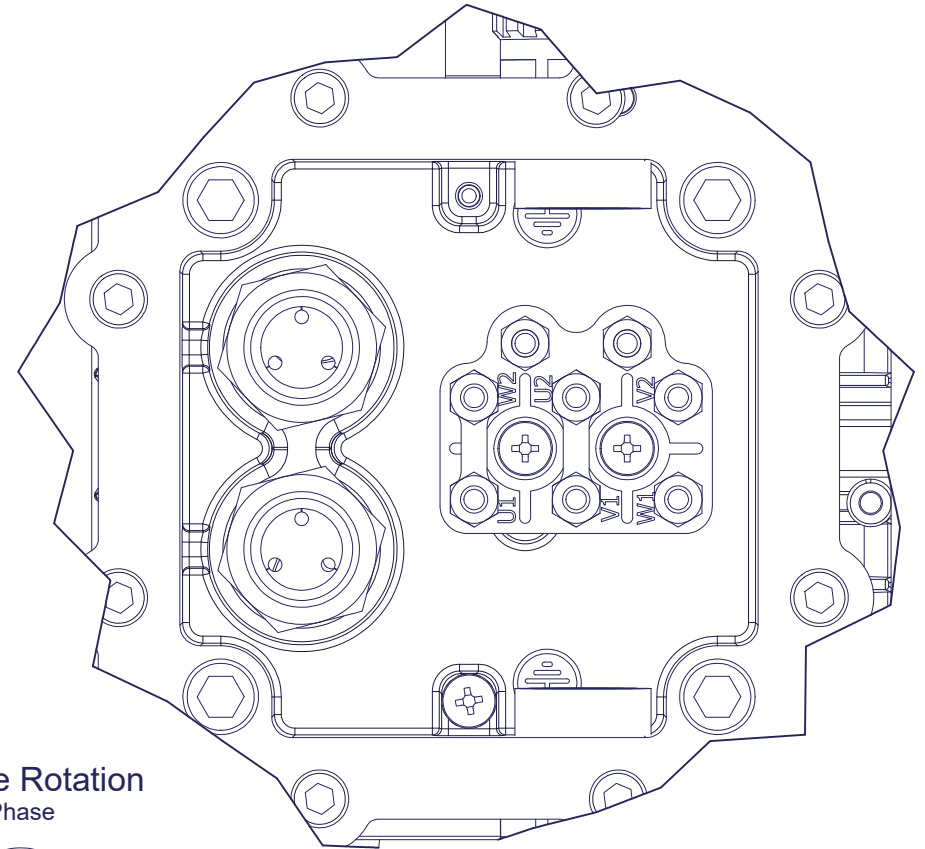
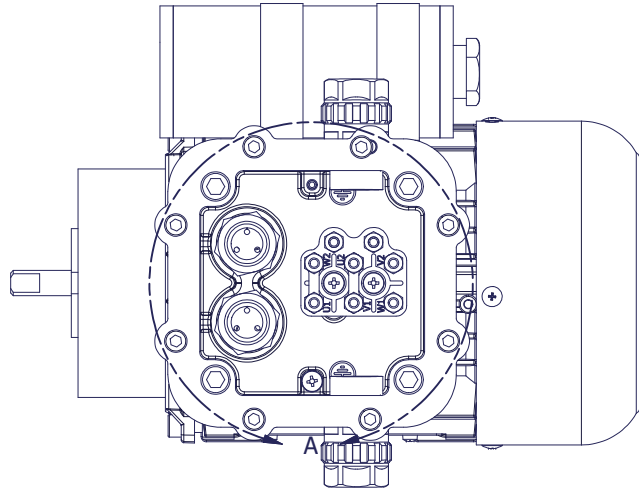


# Wiring Diagram and Jumper Location for Elprom ATEX motors

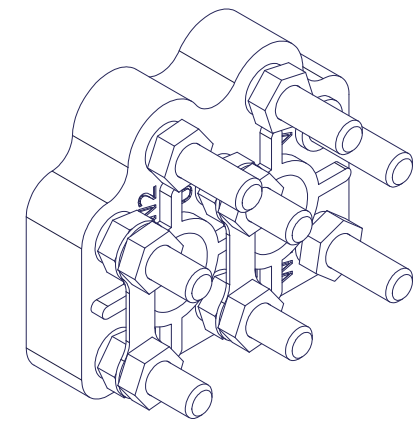
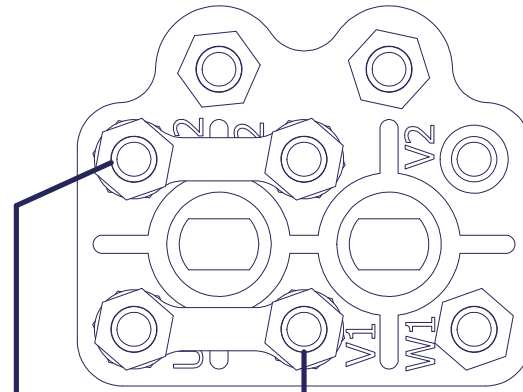
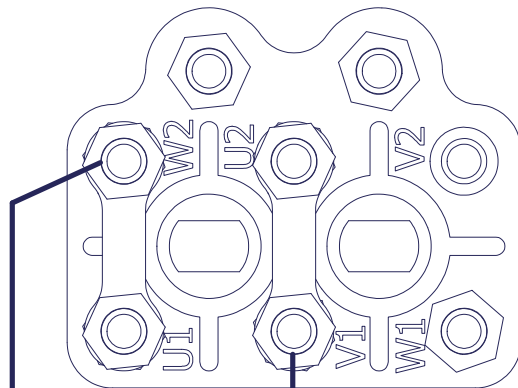
Note:

1. PTO has been pre-wired into motor.



**Clockwise Rotation**  
230 Volt Single Phase

**Counter Clockwise Rotation**  
230 Volt Single Phase



PCO 207 A



**AIR DIMENSIONS INC.**  
DEERFIELD BEACH, FL. USA 33442  
WWW.AIRDIMENSIONS.COM

DATE 1/6/2020	TITLE Elprom ATEX Wiring Diagram	
APPROVED BY TG	DWG NO ADS-152	MODEL # ADS-152
		SHEET 1 OF 1