

Parts List			
ITEM	QTY	PART #	DESCRIPTION
1	1	A01034	ADAPTOR
2	1	A01039	ADAPTOR
3	1	A01042	ADAPTOR PLATE
4	1	A02005	VALVEBODY
5	2	A02011	BEARING
6	1	A02027	CONN. ROD BOLT
7	1	A03001	CAP
8	1	A03002	COUNTERWEIGHT
9	1	A05001	ECCENTRIC
10	1	A08001	HOUSING
11	1	A08003	HEAD
12	1	A13153	MOTOR
13	1	A16001	PLATE-DIAPH.
14	1	A16007	COVER PLATE
15	1	A18001	CONN. ROD
16	2	A18002	TOLERANCE RING
17	1	A19007	PLATE SCREW
18	2	A19008	SET SCREW
19	1	A19009	SCREW
20	6	A19013	SCREW
21	1	A19014	SHAFT EXT.
22	4	A19017B	HEAD BOLT
23	4	A19018	HOUSING SCREW
24	1	A19023	SPACER
25	4	A19024	SCREW
26	2	A19048	SCREW
27	1	*A04001	DIAPHRAGM
28	2	*A04004	DISC-VALVE
29	1	*A07001	GASKET
30	1	*A23001	WASHER

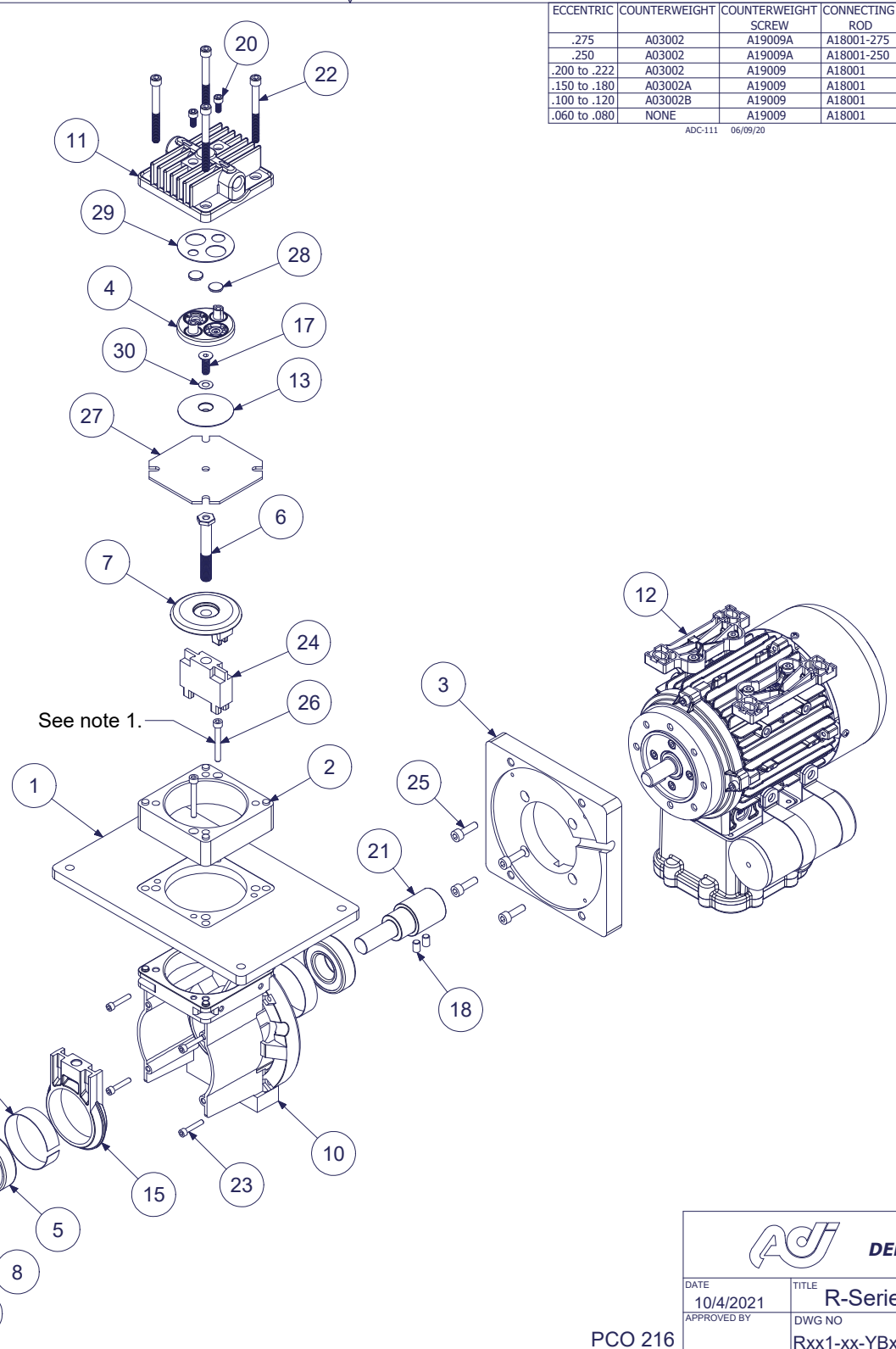
**\*RECOMMENDED SPARE PARTS KITS**

DIAPHRAGMS KITS
11005 TEFLON/EPDM
11007 VITON
11011 3-PLY TEFLON

INCLUDES ITEMS 27-30.

**Note:**  
1. Do not apply Loctite to the A19048 screws.

**ALTERNATE MOTORS:**  
A13151 .37kW 230V 60Hz 1Ph  
A13153 .37kW 230V 50Hz 1Ph



ECCENTRIC	COUNTERWEIGHT	COUNTERWEIGHT	CONNECTING ROD
.275	A03002	A19009A	A18001-275
.250	A03002	A19009A	A18001-250
.200 to .222	A03002	A19009	A18001
.150 to .180	A03002A	A19009	A18001
.100 to .120	A03002B	A19009	A18001
.060 to .080	NONE	A19009	A18001

ADC-111 06/09/20

ALTERNATE AND OPTIONAL PARTS	
PART #	DESCRIPTION
A02005	VALVEBODY - 316ss
A02006	VALVEBODY - ALUM
A02009	VALVEBODY - 316ss TFE CO
A02010	VALVEBODY - ALUM TFE CO
A02023	VALVEBODY - HAST C
A02024	VALVEBODY - HAST C TFE CO
A02075	VALVEBODY - ELECTRO POLISH
A02090	VALVEBODY - HAST C SILCONERT
A02095	VALVEBODY - SILCONERT
A02098	VALVEBODY - DURSAN
A04001	DIAPHRAGM - TEFLON/EPDM
A04003	DIAPHRAGM - VITON
A04011	DIAPHRAGM - 3 PLY TEFLON
A08003	HEAD - 316ss
A08004	HEAD - ALUM
A08007	HEAD - 316ss TFE CO
A08008	HEAD - ALUM TFE CO
A08020	HEAD - HAST C
A08021	HEAD - HAST C TFE CO
A08053	HEAD - 316ss RINGED
A08073	HEAD - ELECTRO POLISH
A08090	HEAD - HAST C SILCONERT
A08093	HEAD - SILCONERT
A08094	HEAD - SILCONERT RINGED
A08098	HEAD - DURSAN
A16001	PLATE - 316ss
A16002	PLATE - ALUM
A16005	PLATE - 316ss TFE CO
A16006	PLATE - ALUM TFE CO
A16020	PLATE - HAST C
A16021	PLATE - HAST C TFE CO
A16071	PLATE - ELECTRO POLISH
A16090	PLATE - HAST C SILCONERT
A16091	PLATE - SILCONERT
A16098	PLATE - DURSAN
A19007	PLATE SCREW - 316ss
A19011	PLATE SCREW - 316ss TFE CO
A19015	PLATE SCREW - HAST C
A19020	PLATE SCREW - HAST C TFE CO
A19077	PLATE SCREW - ELECTRO POLISH
A19090	PLATE SCREW - SILCONERT
A19097	PLATE SCREW - SILCONERT
A19098	PLATE SCREW - DURSAN
A07001	GASKET - CARBON TEFLON
A07005	GASKET - VITON
A07906	GASKET - EPDM
A04004	DISC-VALVE - CARBON TEFLON
A04007	DISC-VALVE - 416ss
A23001	TEFLON WASHER
A23502	TEFZEL WASHER

ADC-117 06/09/20

 <b>AIR DIMENSIONS INC.</b> <b>DEERFIELD BEACH, FL. USA 33442</b> <b>WWW.AIRDIMENSIONS.COM</b>			
DATE	10/4/2021	TITLE	R-Series Elevated ATEX/IECEx Pump
APPROVED BY		DWG NO	Rxx1-xx-YBx-L
		MODEL #	Rxx1-xx-YBx-L
PCO 216		SHEET 2 OF 2	