

Parts List				Parts List				Parts List			
ITEM	QTY	PART #	DESCRIPTION	ITEM	QTY	PART #	DESCRIPTION	ITEM	QTY	PART #	DESCRIPTION
1	1	A01003	ADAPTOR	12	1	A13010	AIR MOTOR	23	4	A19018	HOUSING SCREW
2	1	A02002	BASE	13	4	A14001	CAP NUT	24	4	A19026	SCREW, ADAPTOR
3	1	A02003	BACKUP PLATE	14	2	A16001	PLATE-DIAPH.	25	4	A19031	2nd STAGE SCREW
4	2	A02005	VALVEBODY	15	1	A16008	2nd STAGE	26	1	A19050	SPRING PIN
5	3	A02011	BEARING	16	2	A18001	CONN. ROD	27	2	A23002	LOCK WASHER
6	2	A02014	ROD BOLT	17	3	A18002	TOLERANCE RING	28	6	A23004	WASHER
7	2	A03001	CAP	18	1	A19002	SHAFT EXT.	29	2	*A04001	DIAPHRAGM
8	1	A05002	ECCENTRIC	19	14	A19005	SCREW	30	4	*A04004	DISC-VALVE
9	4	A06001	FOOT	20	2	A19007	PLATE SCREW	31	2	*A07001	GASKET
10	1	A08001	HOUSING	21	3	A19008	SET SCREW	32	2	*A23001	WASHER
11	2	A08003	HEAD	22	4	A19013	SCREW				

ECCENTRIC	CONNECTING ROD
.275	A18001-275
.250	A18001-250
.060 to .222	A18001

ADC-119 07/23/20

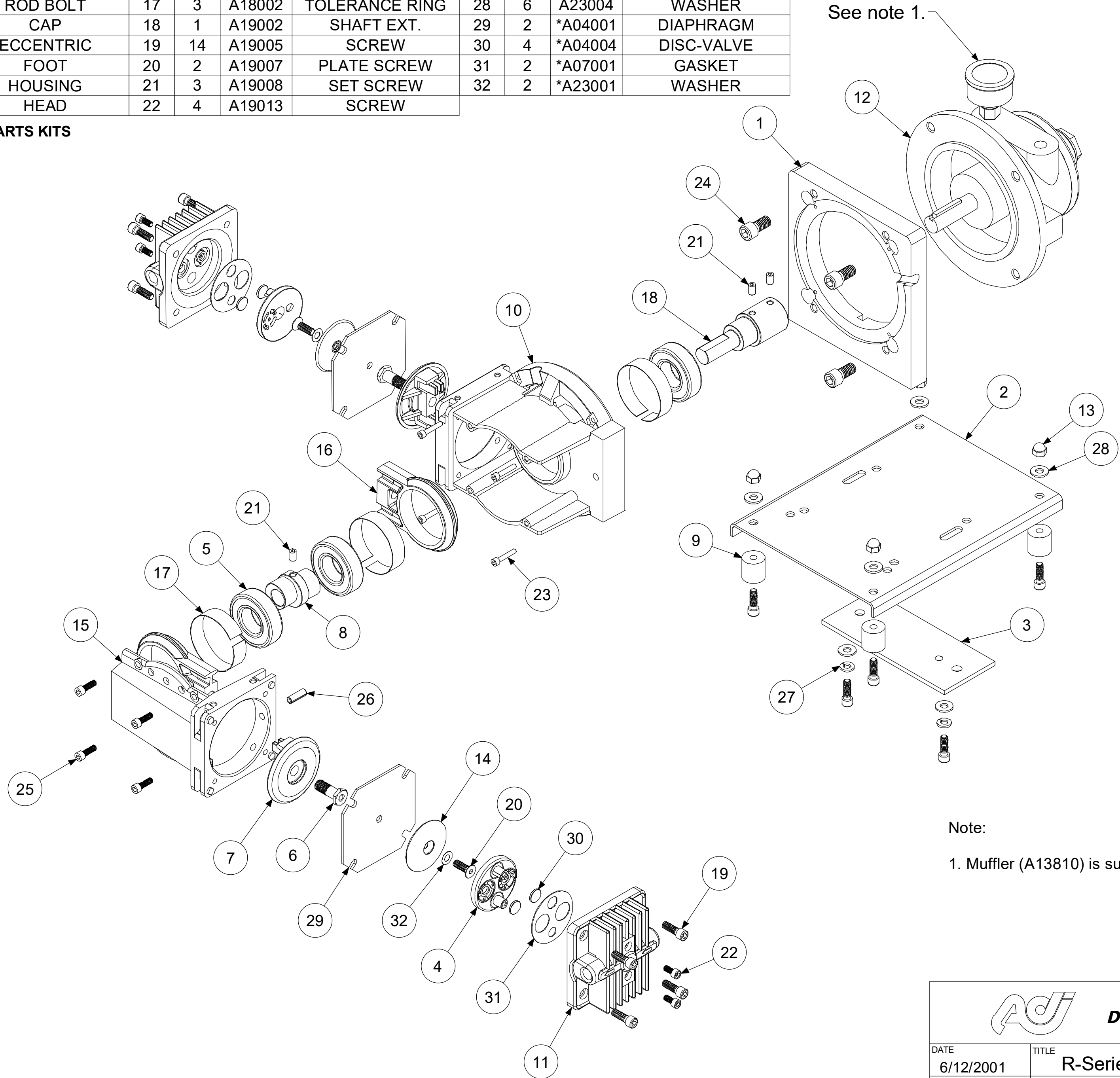
ALTERNATE AND OPTIONAL PARTS	
PART #	DESCRIPTION
A02005	VALVEBODY - 316ss
A02006	VALVEBODY - ALUM
A02009	VALVEBODY - 316ss TFE CO
A02010	VALVEBODY - ALUM TFE CO
A02023	VALVEBODY - HAST C
A02024	VALVEBODY - HAST C TFE CO
A02075	VALVEBODY - ELECTRO POLISH
A02090	VALVEBODY - HAST C SILCONERT
A02095	VALVEBODY - SILCONERT
A02098	VALVEBODY - DURSAN
A04001	DIAPHRAGM - TEFLON/EPDM
A04003	DIAPHRAGM - VITON
A04011	DIAPHRAGM - 3 PLY TEFLON
A08003	HEAD - 316ss
A08004	HEAD - ALUM
A08007	HEAD - 316ss TFE CO
A08008	HEAD - ALUM TFE CO
A08020	HEAD - HAST C
A08021	HEAD - HAST C TFE CO
A08053	HEAD - 316ss RINGED
A08073	HEAD - ELECTRO POLISH
A08090	HEAD - HAST C SILCONERT
A08093	HEAD - SILCONERT
A08094	HEAD - SILCONERT RINGED
A08098	HEAD - DURSAN
A16001	PLATE - 316ss
A16002	PLATE - ALUM
A16005	PLATE - 316ss TFE CO
A16006	PLATE - ALUM TFE CO
A16020	PLATE - HAST C
A16021	PLATE - HAST C TFE CO
A16071	PLATE - ELECTRO POLISH
A16090	PLATE - HAST C SILCONERT
A16091	PLATE - SILCONERT
A16098	PLATE - DURSAN
A19007	PLATE SCREW - 316ss
A19011	PLATE SCREW - 316ss TFE CO
A19015	PLATE SCREW - HAST C
A19020	PLATE SCREW - HAST C TFE CO
A19077	PLATE SCREW - ELECTRO POLISH
A19090	PLATE SCREW - HAST C SILCONERT
A19097	PLATE SCREW - SILCONERT
A19098	PLATE SCREW - DURSAN
A07001	GASKET - CARBON TEFLON
A07005	GASKET - VITON
A07906	GASKET - EPDM
A04004	DISC-VALVE - CARBON TEFLON
A04007	DISC-VALVE - 416ss
A23001	TEFLON WASHER
A23502	TEFZEL WASHER

ADC-117 06/09/20

***RECOMMENDED SPARE PARTS KITS**

DIAPHRAGMS KITS	
11005	TEFLON/EPDM
11007	VITON
11011	3-PLY TEFLON

INCLUDES ITEMS 29-32.



Note:

1. Muffler (A13810) is supplied with the motor.

MOTOR DESCRIPTION:
A13010 1.7HP TENV Air Motor

		AIR DIMENSIONS INC. DEERFIELD BEACH, FL. USA 33442 WWW.AIRDIMENSIONS.COM	
DATE	6/12/2001	TITLE	R-Series Double Head Air Driven Pump
APPROVED BY	CK	DWG NO	Rxx2-xx-DX0
		MODEL #	Rxx2-xx-DX0
03/21 (2164)		SHEET 2 OF 2	