

4				3				2											
ITEM	QTY	PART #	DESCRIPTION	ITEM	QTY	PART #	DESCRIPTION	ITEM	QTY	PART #	DESCRIPTION								
1	1	A01001	ADAPTOR	15	4	A14001	CAP NUT	29	1	A19050	SPRING PIN								
2	2	A01037	ADAPTOR, DBL. DIA.	16	4	A14009	NUT	30	2	A19301	PLATE SCREW								
3	1	A02002	BASE	17	2	A16001	PLATE-DIAPH.	31	4	A23004	WASHER								
4	2	A02005	VALVEBODY	18	1	A16008	2nd STAGE	32	4	*A04001	DIAPHRAGM								
5	3	A02011	BEARING	19	2	A18001	CONN. ROD	33	4	*A04004	DISC-VALVE								
6	2	A02014	ROD BOLT	20	3	A18002	TOLERANCE RING	34	2	*A07001	GASKET								
7	1	A02033	BUSHING	21	4	A19005	SCREW	35	2	*A23001	WASHER								
8	4	A02038	BOLT-MOTOR	22	1	A19008	SET SCREW	36	4	*A23007	WASHER								
9	2	A03001	CAP	23	1	A19010	SET SCREW	*RECOMMENDED SPARE PARTS KITS											
10	1	A05002	ECCENTRIC	24	4	A19013	SCREW					DIAPHRAGMS KITS							
11	4	A06001	FOOT	25	8	A19017A	SCREW									11071 3-PLY TEFLON			
12	1	A08001	HOUSING	26	4	A19018	HOUSING SCREW												
13	2	A08003	HEAD	27	4	A19022	ADPT. SCREW	11077 VITON											
14	1	A13022	MOTOR	28	4	A19031	2nd STAGE SCREW					INCLUDES ITEMS 32-36.							

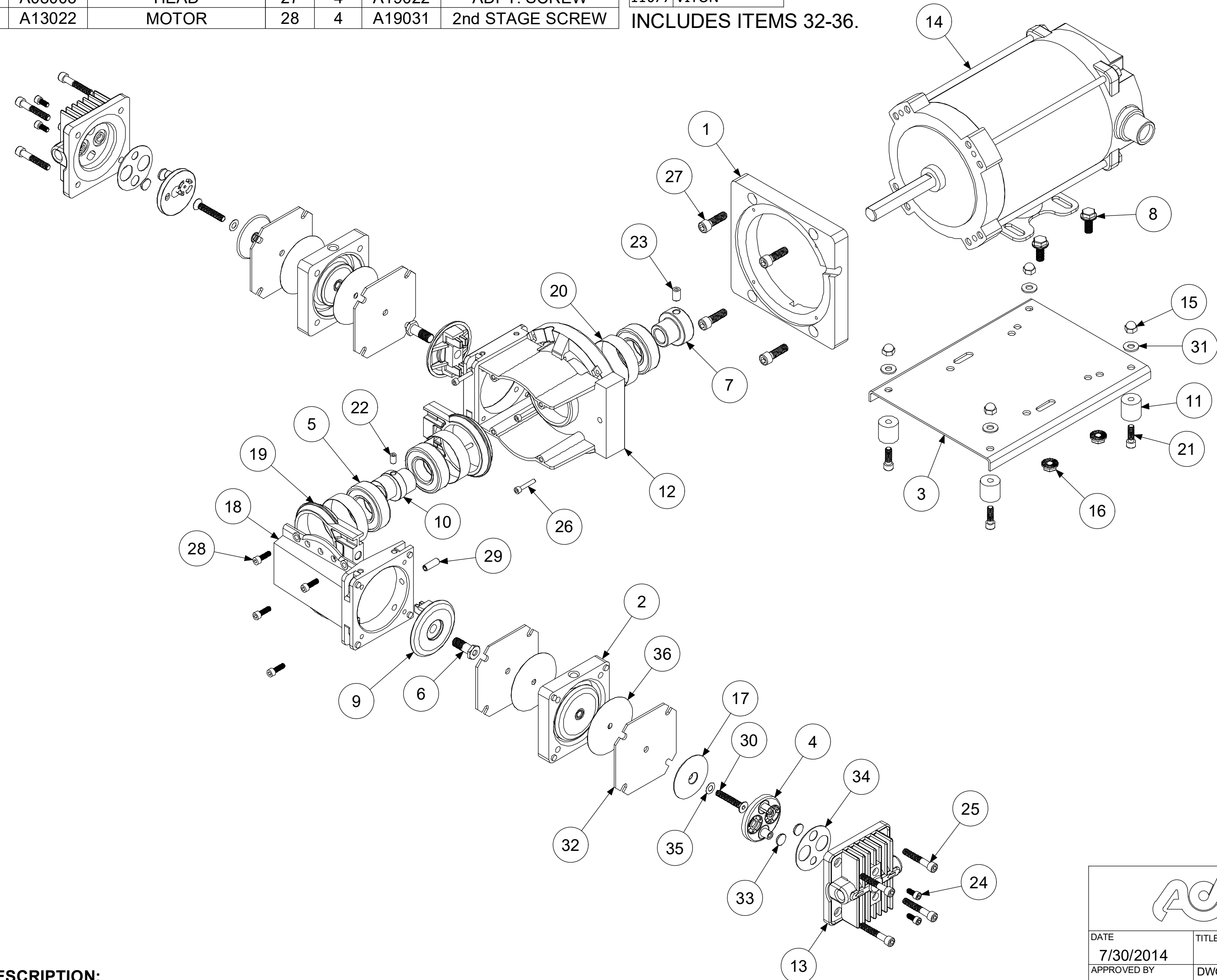
ITEM	QTY	PART #	DESCRIPTION
29	1	A19050	SPRING PIN
30	2	A19301	PLATE SCREW
31	4	A23004	WASHER
32	4	*A04001	DIAPHRAGM
33	4	*A04004	DISC-VALVE
34	2	*A07001	GASKET
35	2	*A23001	WASHER
36	4	*A23007	WASHER

ITEM	QTY	PART #	DESCRIPTION
15	4	A14001	CAP NUT
16	4	A14009	NUT
17	2	A16001	PLATE-DIAPH.
18	1	A16008	2nd STAGE
19	2	A18001	CONN. ROD
20	3	A18002	TOLERANCE RING
21	4	A19005	SCREW
22	1	A19008	SET SCREW
23	1	A19010	SET SCREW
24	4	A19013	SCREW
25	8	A19017A	SCREW
26	4	A19018	HOUSING SCREW
27	4	A19022	ADPT. SCREW
28	4	A19031	2nd STAGE SCREW

ECCENTRIC	CONNECTING ROD
.275	A18001-275
.250	A18001-250
.060 to .222	A18001

ADC-119 07/23/20

PART #	DESCRIPTION
A02005	VALVEBODY - 316ss
A02006	VALVEBODY - ALUM
A02009	VALVEBODY - 316ss TFE CO
A02010	VALVEBODY - ALUM TFE CO
A02023	VALVEBODY - HAST C
A02024	VALVEBODY - HAST C TFE CO
A02075	VALVEBODY - ELECTRO POLISH
A02095	VALVEBODY - SILCONERT
A02098	VALVEBODY - DURSAN
A04001	DIAPHRAGM - TEFLON/EPDM
A04003	DIAPHRAGM - VITON
A04011	DIAPHRAGM - 3 PLY TEFLON
A08003	HEAD - 316ss
A08004	HEAD - ALUM
A08007	HEAD - 316ss TFE CO
A08008	HEAD - ALUM TFE CO
A08020	HEAD - HAST C
A08021	HEAD - HAST C TFE CO
A08073	HEAD - ELECTRO POLISH
A08093	HEAD - SILCONERT
A08098	HEAD - DURSAN
A16001	PLATE - 316ss
A16002	PLATE - ALUM
A16005	PLATE - 316ss TFE CO
A16006	PLATE - ALUM TFE CO
A16020	PLATE - HAST C
A16021	PLATE - HAST C TFE CO
A16071	PLATE - ELECTRO POLISH
A16091	PLATE - SILCONERT
A16098	PLATE - DURSAN
A19301	PLATE SCREW - 316ss
A19328	PLATE SCREW - 316ss TFE CO
A19315	PLATE SCREW - HAST C
A19371	PLATE SCREW - ELECTRO POLISH
A19397	PLATE SCREW - SILCONERT
A19398	PLATE SCREW - DURSAN
A07001	GASKET - CARBON TEFLON
A07005	GASKET - VITON
A07906	GASKET - EPDM
A04004	DISC-VALVE - CARBON TEFLON
A04007	DISC-VALVE - 416ss
A23001	TEFLON WASHER
A23502	TEFZEL WASHER



MOTOR DESCRIPTION:
A13022 1/6 HP 115/230V 50/60Hz 1Ph

		AIR DIMENSIONS INC. DEERFIELD BEACH, FL. USA 33442 WWW.AIRDIMENSIONS.COM	
DATE	7/30/2014	TITLE	R-Series Dbl. Diaphragm XP Pump
APPROVED BY	FDM	DWG NO	Rxx2-xx-RC5-D
		MODEL #	Rxx2-xx-RC5-D
		SHEET 2 OF 2	