

ECCENTRIC	CONNECTING ROD
.275	A18001-275
.250	A18001-250
.060 to .222	A18001

ADC-119 07/23/20

ALTERNATE AND OPTIONAL PARTS	
PART #	DESCRIPTION
A02005	VALVEBODY - 316ss
A02006	VALVEBODY - ALUM
A02009	VALVEBODY - 316ss TFE CO
A02010	VALVEBODY - ALUM TFE CO
A02023	VALVEBODY - HAST C
A02024	VALVEBODY - HAST C TFE CO
A02075	VALVEBODY - ELECTRO POLISH
A02090	VALVEBODY - HAST C SILCONERT
A02095	VALVEBODY - SILCONERT
A02098	VALVEBODY - DURSAN
A04001	DIAPHRAGM - TEFLON/EPDM
A04003	DIAPHRAGM - VITON
A04011	DIAPHRAGM - 3 PLY TEFLON
A08003	HEAD - 316ss
A08004	HEAD - ALUM
A08007	HEAD - 316ss TFE CO
A08008	HEAD - ALUM TFE CO
A08020	HEAD - HAST C
A08021	HEAD - HAST C TFE CO
A08053	HEAD - 316ss RINGED
A08073	HEAD - ELECTRO POLISH
A08090	HEAD - HAST C SILCONERT
A08093	HEAD - SILCONERT
A08094	HEAD - SILCONERT RINGED
A08098	HEAD - DURSAN
A16001	PLATE - 316ss
A16002	PLATE - ALUM
A16005	PLATE - 316ss TFE CO
A16006	PLATE - ALUM TFE CO
A16020	PLATE - HAST C
A16021	PLATE - HAST C TFE CO
A16071	PLATE - ELECTRO POLISH
A16090	PLATE - HAST C SILCONERT
A16091	PLATE - SILCONERT
A16098	PLATE - DURSAN
A19007	PLATE SCREW - 316ss
A19011	PLATE SCREW - 316ss TFE CO
A19015	PLATE SCREW - HAST C
A19020	PLATE SCREW - HAST C TFE CO
A19077	PLATE SCREW - ELECTRO POLISH
A19090	PLATE SCREW - HAST C SILCONERT
A19097	PLATE SCREW - SILCONERT
A19098	PLATE SCREW - DURSAN
A07001	GASKET - CARBON TEFLON
A07005	GASKET - VITON
A07906	GASKET - EPDM
A04004	DISC-VALVE - CARBON TEFLON
A04007	DISC-VALVE - 416ss
A23001	TEFLON WASHER
A23502	TEFZEL WASHER

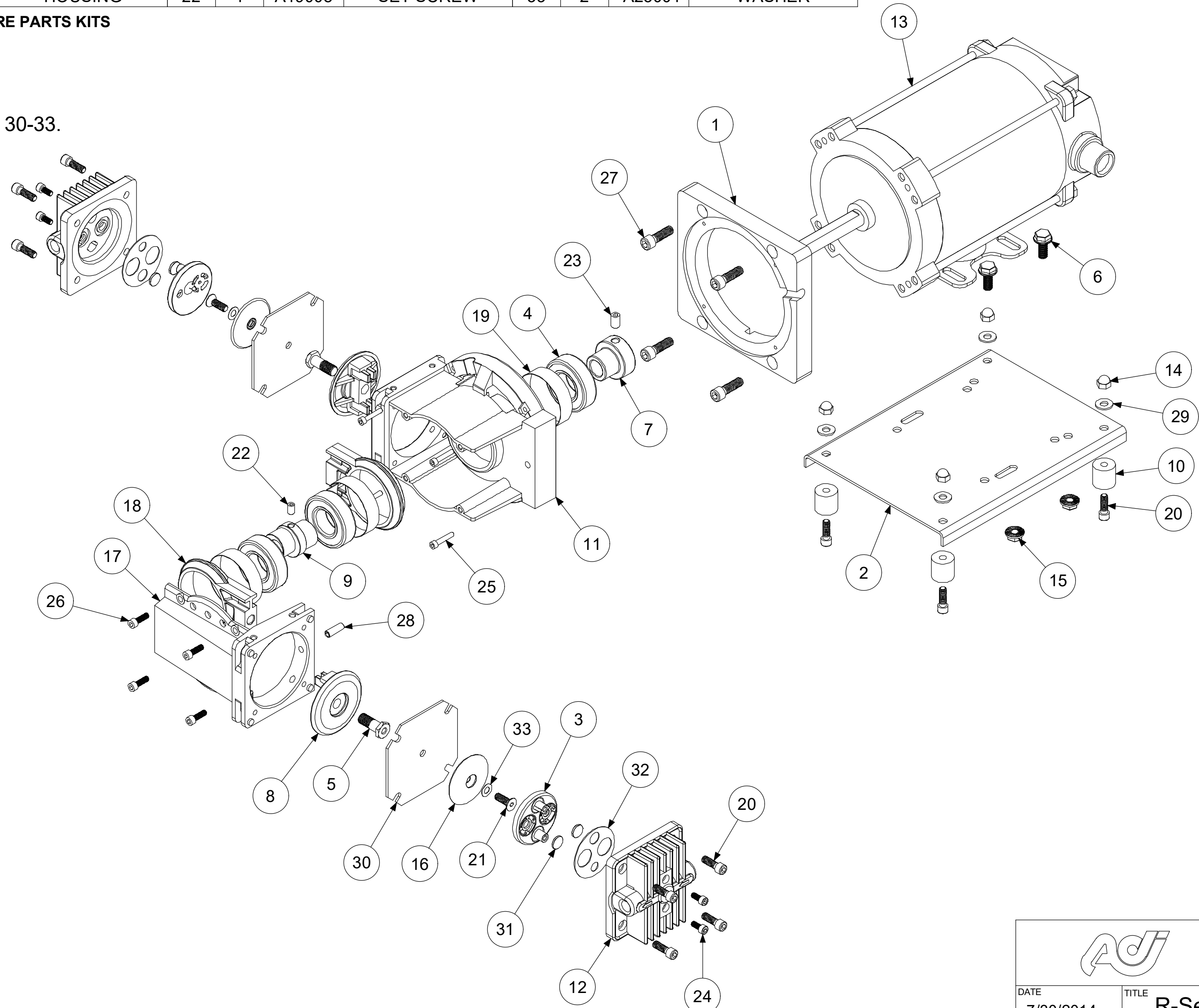
ADC-117 06/09/20

Parts List				Parts List				Parts List			
ITEM	QTY	PART #	DESCRIPTION	ITEM	QTY	PART #	DESCRIPTION	ITEM	QTY	PART #	DESCRIPTION
1	1	A01001	ADAPTOR	12	2	A08003	HEAD	23	1	A19010	SET SCREW
2	1	A02002	BASE	13	1	A13022	MOTOR	24	4	A19013	SCREW
3	2	A02005	VALVEBODY	14	4	A14001	CAP NUT	25	4	A19018	HOUSING SCREW
4	3	A02011	BEARING	15	4	A14009	NUT	26	4	A19031	2nd STAGE SCREW
5	2	A02014	ROD BOLT	16	2	A16001	PLATE-DIAPH.	27	4	A19022	ADPT. SCREW
6	4	A02038	BOLT-MOTOR	17	1	A16008	2nd STAGE	28	1	A19050	SPRING PIN
7	1	A02033	BUSHING	18	2	A18001	CONN. ROD	29	4	A23004	WASHER
8	2	A03001	CAP	19	3	A18002	TOLERANCE RING	30	2	*A04001	DIAPHRAGM
9	1	A05002	ECCENTRIC	20	12	A19005	SCREW	31	4	*A04004	DISC-VALVE
10	4	A06001	FOOT	21	2	A19007	PLATE SCREW	32	2	*A07001	GASKET
11	1	A08001	HOUSING	22	1	A19008	SET SCREW	33	2	*A23001	WASHER


***RECOMMENDED SPARE PARTS KITS**

DIAPHRAGMS KITS	
11005	TEFLON/EPDM
11007	VITON
11011	3-PLY TEFLON

INCLUDES ITEMS 30-33.



MOTOR DESCRIPTION:
A13022 1/6 HP 115/230V 50/60Hz 1Ph



AIR DIMENSIONS INC.
DEERFIELD BEACH, FL. USA 33442
WWW.AIRDIMENSIONS.COM

DATE 7/30/2014	TITLE R-Series Double Head XP Pump	
APPROVED BY FDM	DWG NO Rxx2-xx-RC5	MODEL # Rxx2-xx-RC5

03/21 (2161) SHEET 2 OF 2