

Parts List			
ITEM	QTY	PART #	DESCRIPTION
1	1	A01033	ADAPTOR
2	4	A02005	VALVEBODY
3	6	A02011	BEARING
4	4	A02014	ROD BOLT
5	1	A02032	BASE
6	2	A02033S	BUSHING
7	4	A02038	BOLT-MOTOR
8	4	A03001	CAP
9	1	A03038	COUPLING
10	2	A05006	ECCENTRIC
11	4	A06001	FOOT
12	2	A08001	HOUSING
13	4	A08003	HEAD

Parts List			
ITEM	QTY	PART #	DESCRIPTION
14	1	A11504	KEY
15	1	A11505	KEY
16	1	A13006	MOTOR
17	4	A16001	PLATE-DIAPH.
18	1	A16008	2nd STAGE
19	1	A16008S	2nd STAGE
20	4	A18001	CONN. ROD
21	6	A18002	TOLERANCE RING
22	20	A19005	SCREW
23	4	A19007	PLATE SCREW
24	2	A19008	SET SCREW
25	2	A19009	SCREW
26	2	A19010	SET SCREW

Parts List			
ITEM	QTY	PART #	DESCRIPTION
27	11	A19013	SCREW
28	8	A19018	HOUSING SCREW
29	1	A19025	SHAFT
30	1	A19028	SHROUD
31	8	A19031	2nd STAGE SCREW
32	2	A19050	SPRING PIN
33	3	A23302	WASHER
34	4	*A04001	DIAPHRAGM
35	8	*A04004	DISC-VALVE
36	4	*A07001	GASKET
37	4	*A23001	WASHER

ECCENTRIC	CONNECTING ROD
.275	A18001-275
.250	A18001-250
.060 to .222	A18001

ADC-119 07/23/20

ALTERNATE AND OPTIONAL PARTS	
PART #	DESCRIPTION
A02005	VALVEBODY - 316ss
A02006	VALVEBODY - ALUM
A02009	VALVEBODY - 316ss TFE CO
A02010	VALVEBODY - ALUM TFE CO
A02023	VALVEBODY - HAST C
A02024	VALVEBODY - HAST C TFE CO
A02075	VALVEBODY - ELECTRO POLISH
A02090	VALVEBODY - HAST C SILCONERT
A02095	VALVEBODY - SILCONERT
A02098	VALVEBODY - DURSAN

A04001	DIAPHRAGM - TEFLON/EPDM
A04003	DIAPHRAGM - VITON
A04011	DIAPHRAGM - 3 PLY TEFLON

A08003	HEAD - 316ss
A08004	HEAD - ALUM
A08007	HEAD - 316ss TFE CO
A08008	HEAD - ALUM TFE CO
A08020	HEAD - HAST C
A08021	HEAD - HAST C TFE CO
A08053	HEAD - 316ss RINGED
A08073	HEAD - ELECTRO POLISH
A08090	HEAD - HAST C SILCONERT
A08093	HEAD - SILCONERT
A08094	HEAD - SILCONERT RINGED
A08098	HEAD - DURSAN

A16001	PLATE - 316ss
A16002	PLATE - ALUM
A16005	PLATE - 316ss TFE CO
A16006	PLATE - ALUM TFE CO
A16020	PLATE - HAST C
A16021	PLATE - HAST C TFE CO
A16071	PLATE - ELECTRO POLISH
A16090	PLATE - HAST C SILCONERT
A16091	PLATE - SILCONERT
A16098	PLATE - DURSAN

A19007	PLATE SCREW - 316ss
A19011	PLATE SCREW - 316ss TFE CO
A19015	PLATE SCREW - HAST C
A19020	PLATE SCREW - HAST C TFE CO
A19077	PLATE SCREW - ELECTRO POLISH
A19090	PLATE SCREW - HAST C SILCONERT
A19097	PLATE SCREW - SILCONERT
A19098	PLATE SCREW - DURSAN

A07001	GASKET - CARBON TEFLON
A07005	GASKET - VITON
A07906	GASKET - EPDM

A04004	DISC-VALVE - CARBON TEFLON
A04007	DISC-VALVE - 416ss

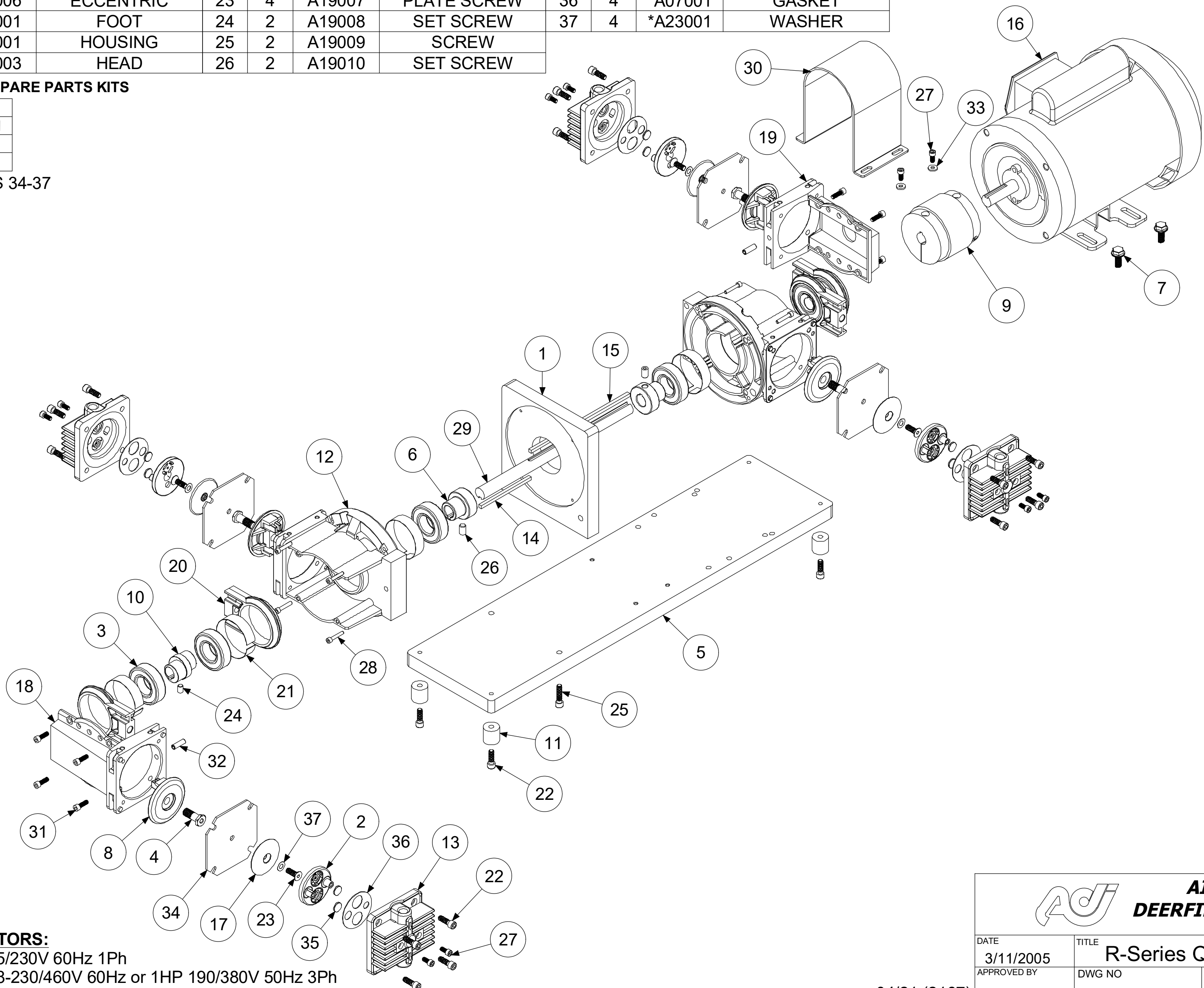
A23001	TEFLON WASHER
A23502	TEFZEL WASHER

A02011	BEARING - STANDARD
A02012	BEARING - HIGH TEMPERATURE

ADC-153 03/31/21

POWER CORD OPTIONS	
PART #	DESCRIPTION
A03004	ROMEX CONNECTOR
A03045	POWER CORD, 115V
A03046	POWER CORD, 230V

ALTERNATE HI-TEMP COUPLING	
PART #	DESCRIPTION
A03023	COUPLING, HI-TEMP



***RECOMMENDED SPARE PARTS KITS**

DIAPHRAGMS KITS	
11005	TEFLON/EPDM
11007	VITON
11011	3-PLY TEFLON

INCLUDES ITEMS 34-37

ALTERNATE MOTORS:

- A13006 1.0HP 115/230V 60Hz 1Ph
- A13064 1.5HP 208-230/460V 60Hz or 1HP 190/380V 50Hz 3Ph
- A13080 1.0HP 110/220V 50Hz 1Ph

AIR DIMENSIONS INC.
DEERFIELD BEACH, FL. USA 33442
WWW.AIRDIMENSIONS.COM

DATE 3/11/2005	TITLE R-Series Quad Head TEFC Pump
APPROVED BY FDM	DWG NO Rxx4-xx-Bxx
	MODEL # Rxx4-xx-Bxx
	SHEET 2 OF 2

04/21 (2167)