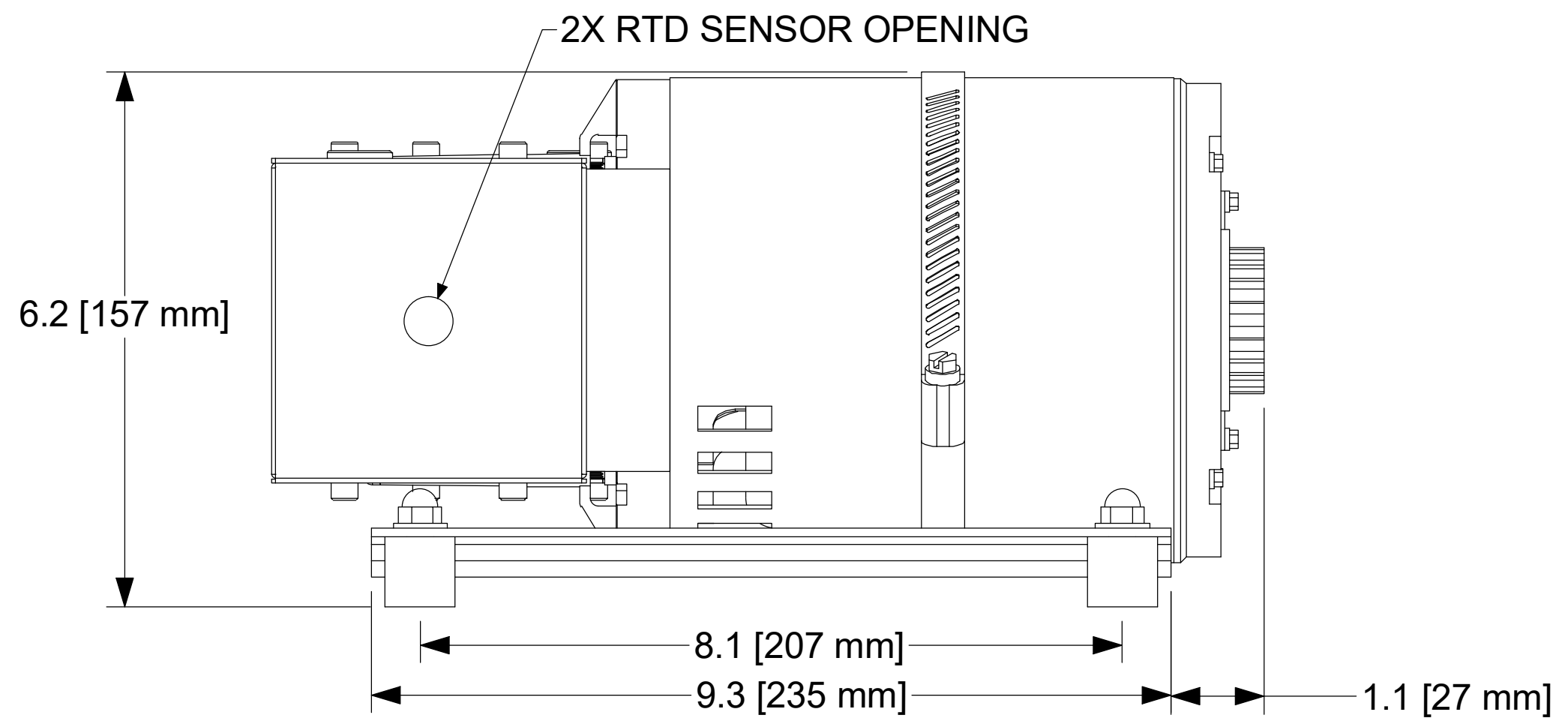
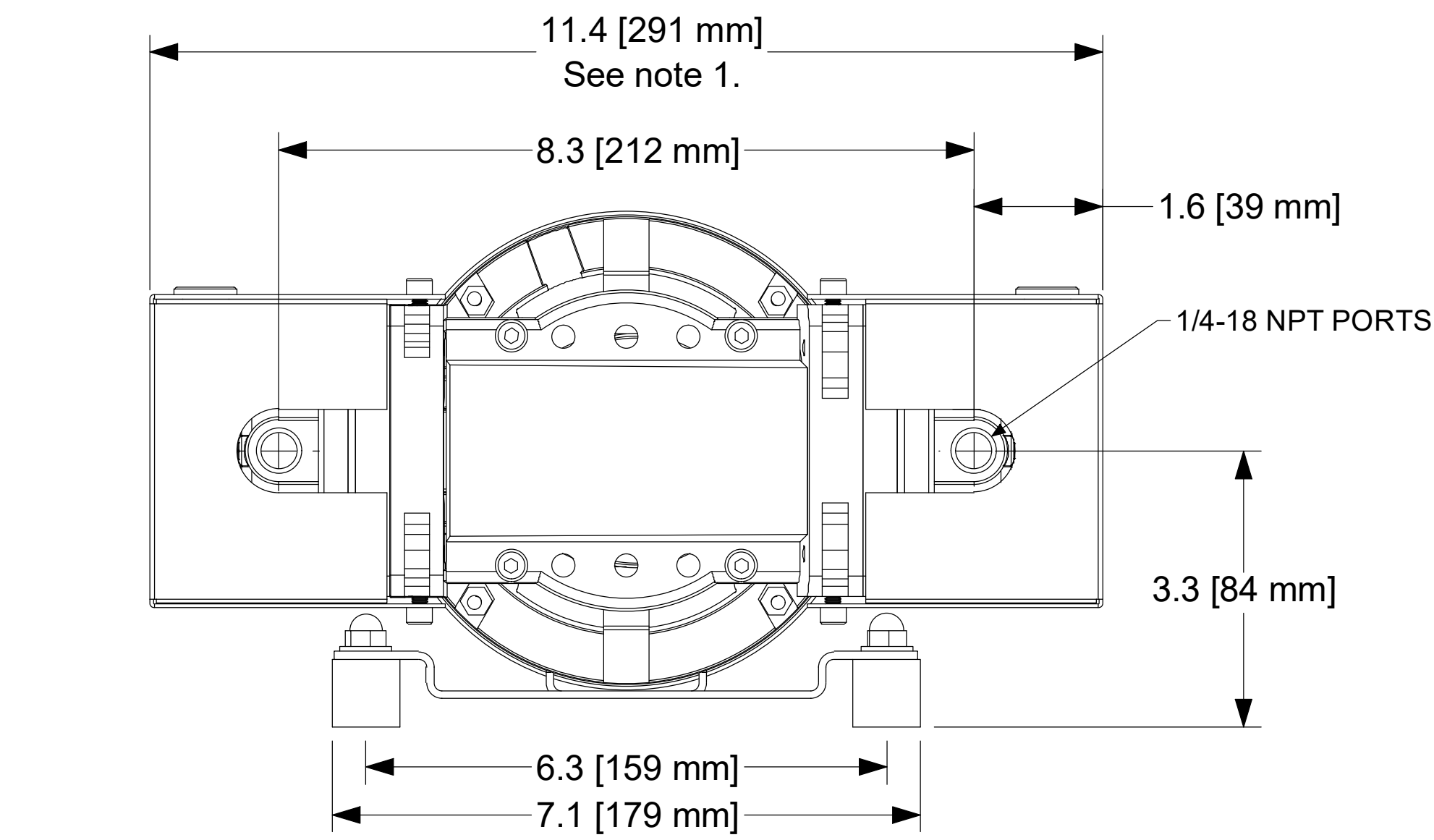
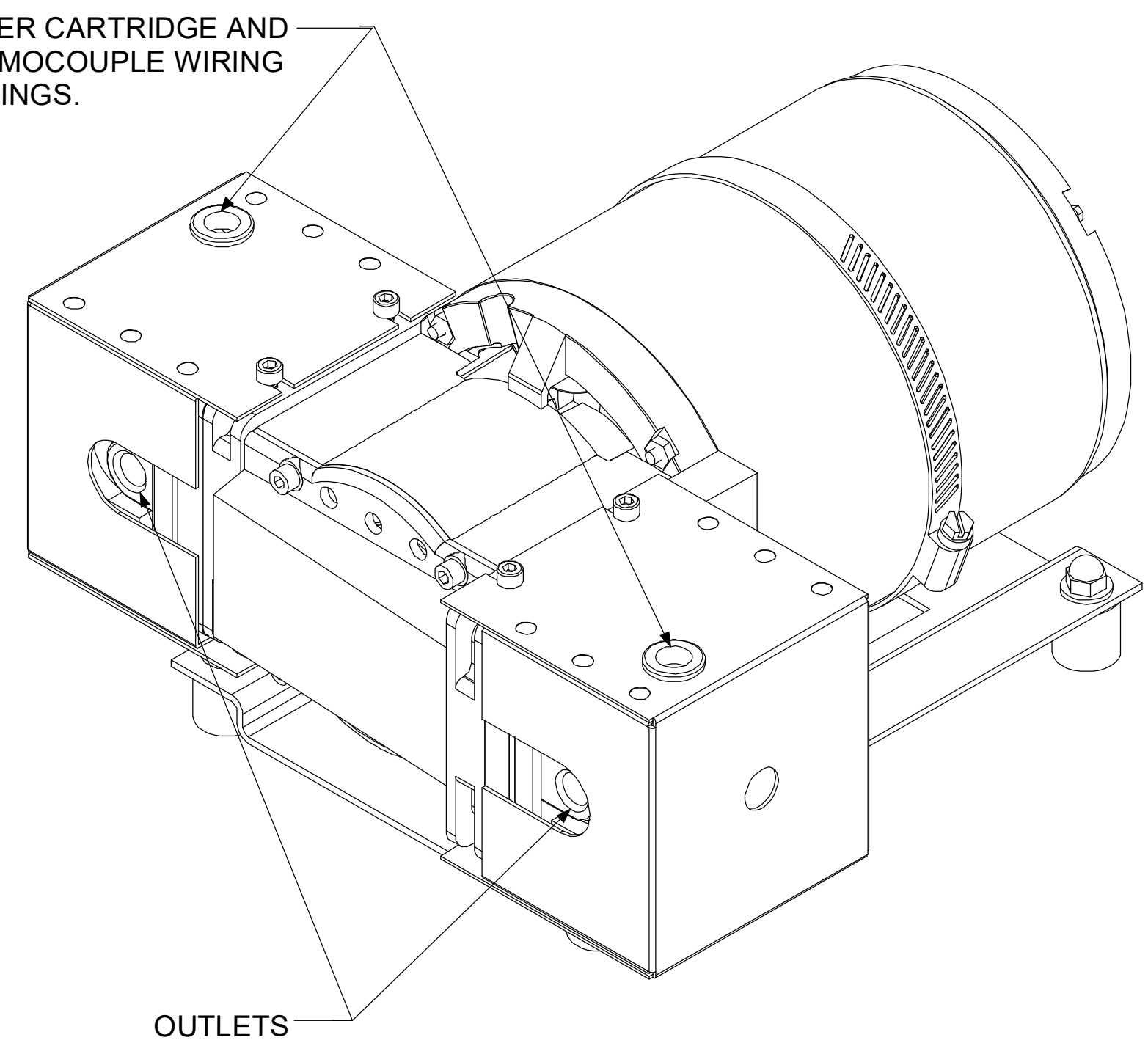



HEATER CARTRIDGE AND THERMOCOUPLE WIRING OPENINGS.



Note:
1. Overall width when RTD is used is 12.8 [327 mm].

		AIR DIMENSIONS INC. DEERFIELD BEACH, FL. USA 33442 WWW.AIRDIMENSIONS.COM	
DATE	8/20/2013	TITLE	R-Series Double Heated Head Pump
APPROVED BY	FDM	DWG NO	Rxx2-xx-AC5-M
		MODEL #	Rxx2-xx-AC5-M
06/21 (2184)		SHEET 1 OF 2	