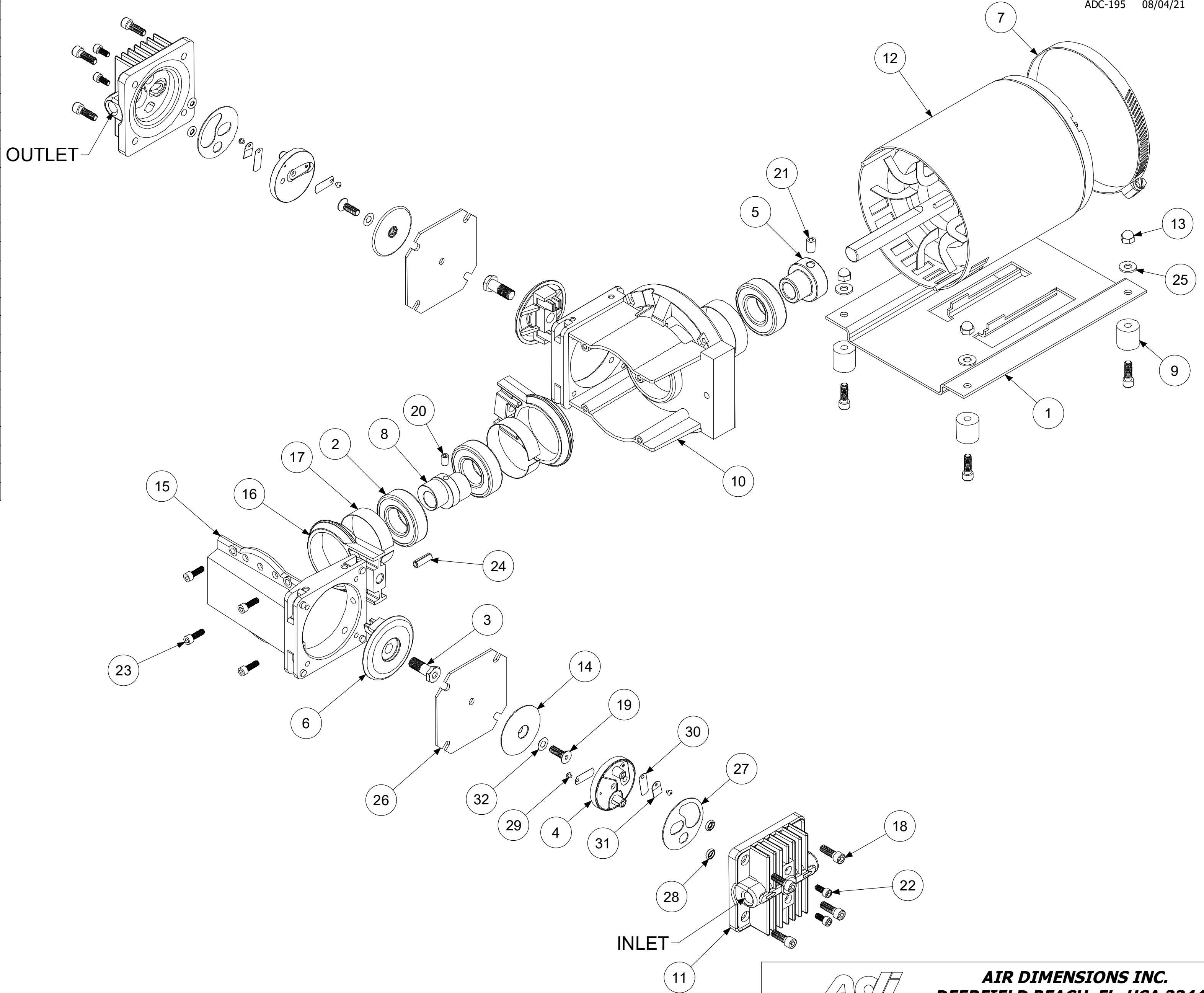


Parts List			
ITEM	QTY	PART #	DESCRIPTION
1	1	A02001	BASE
2	3	A02011	BEARING
3	2	A02014	ROD BOLT
4	2	A02028	VALVEBODY
5	1	A02033	BUSHING
6	2	A03001	CAP
7	1	A03003	CLAMP
8	1	A05002-250	ECCENTRIC
9	4	A06001	FOOT
10	1	A08001	HOUSING
11	2	A08040	HEAD
12	1	A13001	MOTOR
13	4	A14001	CAP NUT
14	2	A16001	PLATE-DIAPH.
15	1	A16008	2nd STAGE
16	2	A18001	CONN. ROD
17	3	A18002	TOLERANCE RING
18	12	A19005	SCREW
19	2	A19007	PLATE SCREW
20	1	A19008	SET SCREW
21	1	A19010	SET SCREW
22	4	A19013	SCREW
23	4	A19031	2nd STAGE SCREW
24	1	A19050	SPRING PIN
25	4	A23004	WASHER
26	2	*A04001	DIAPHRAGM
27	2	*A07012	GASKET
28	4	*A15003	O-RING
29	4	*A22002	4-40 SCREW
30	4	*A22004	FLAPPER VALVE
31	2	*A22005	VALVE STOP
32	2	*A23001	WASHER

ALTERNATE PARTS LIST	
A03019	CONNECTOR - ROMEX
A03045	CORD - POWER 115V
A03046	CORD - POWER 230V
A04001	DIAPHRAGM - TEFLON/EPDM
A04003	DIAPHRAGM - VITON
A04011	DIAPHRAGM - 3 PLY TEFLON

ADC-195 08/04/21



***RECOMMENDED SPARE PARTS KITS**

DIAPHRAGM KITS	
11012	TEFLON/EPDM
11014	3-PLY TEFLON
11017	VITON

INCLUDES ITEMS 26-32

MOTOR DESCRIPTION:
A13001 1/8HP 110-115/220-230V 50/60Hz 1Ph

		AIR DIMENSIONS INC. DEERFIELD BEACH, FL. USA 33442 WWW.AIRDIMENSIONS.COM	
DATE	7/18/2016	TITLE	RVA-Series Double Head Pump
APPROVED BY	FDM	DWG NO	RVA2-Fx-AC5
		MODEL #	RVA2-Fx-AC5
08/21 (2198)		SHEET 2 OF 2	