

Parts List

ITEM	QTY	PART #	DESCRIPTION
1	1	A01080	ADAPTOR
2	1	A02001	BASE
3	2	A02011	BEARING
4	1	A02033	BUSHING
5	1	A02082	VALVEBODY
6	1	A03002	COUNTERWEIGHT
7	1	A03003	CLAMP
8	1	A03080	CAP
9	1	A05001	ECCENTRIC
10	4	A06001	FOOT
11	1	A08001	HOUSING
12	1	A08082	HEAD
13	1	A13001	MOTOR
14	4	A14001	CAP NUT
15	1	A16007	COVER PLATE
16	1	A16009	PLATE, COVER
17	1	A18001	CONN. ROD
18	2	A18002	TOLERANCE RING
19	4	A19005	SCREW
20	1	A19009	SCREW
21	1	A19010	SET SCREW
22	4	A19013	SCREW
23	1	A19050	SPRING PIN
24	4	A19317	SCREW
25	4	A23004	WASHER
26	2	*A04004	DISC-VALVE
27	1	*A04005	ENCAPSULATED DIAPH.
28	2	*A15002	O-RING

POWER CORD OPTIONS	
PART #	DESCRIPTION
A03019	HUBBLE CONNECTOR
A03045	POWER CORD, 115V
A03046	POWER CORD, 230V

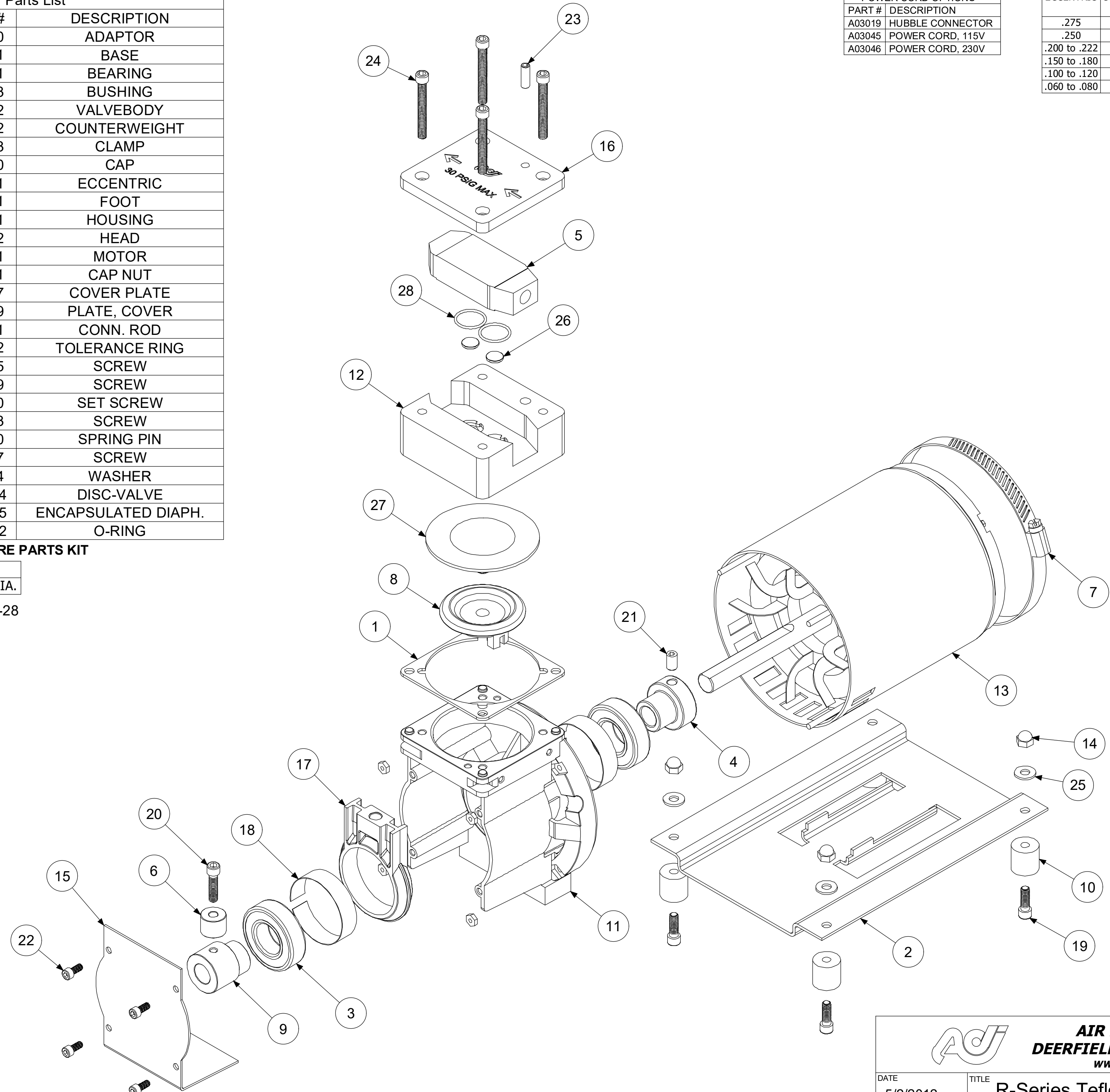
ECCENTRIC	COUNTERWEIGHT	COUNTERWEIGHT SCREW	CONNECTING ROD
.275	A03002	A19009A	A18001-275
.250	A03002	A19009A	A18001-250
.200 to .222	A03002	A19009	A18001
.150 to .180	A03002A	A19009	A18001
.100 to .120	A03002B	A19009	A18001
.060 to .080	NONE	A19009	A18001

ADC-111 06/09/20


*RECOMMENDED SPARE PARTS KIT

DIAPHRAGM KIT
11018 ENCAPSULATED DIA.

INCLUDES ITEMS 26-28



MOTOR DESCRIPTION:
A13001 1/8HP 110-115/220-230V 50/60Hz 1Ph

 AIR DIMENSIONS INC. DEERFIELD BEACH, FL. USA 33442 WWW.AIRDIMENSIONS.COM		
DATE	TITLE	
5/2/2012	R-Series Teflon Head Pump	
APPROVED BY	DWG NO	MODEL #
FDM	Rxx1-TE-AC5	Rxx1-TE-AC5
06/21 (2183)		SHEET 2 OF 2