

4

Parts List

3

Parts List

VOLTAGE	CAPACITOR	UL LABEL
115V	A03317 (12uF)	LAB-UL-A13310-1
230V	A03316 (3uF)	LAB-UL-A13310-2

1

ALTERNATE AND OPTIONAL PARTS

PART #	DESCRIPTION
A02005	VALVEBODY - 316ss
A02006	VALVEBODY - ALUM
A02009	VALVEBODY - 316ss TFE CO
A02010	VALVEBODY - ALUM TFE CO
A02023	VALVEBODY - HAST C
A02024	VALVEBODY - HAST C TFE CO
A02075	VALVEBODY - ELECTRO POLISH
A02095	VALVEBODY - SILCONERT
A02098	VALVEBODY - DURSAN
A04004	DISC-VALVE - CARBON TEFLON
A04007	DISC-VALVE - 416ss
A04301	DIAPHRAGM - TEFLON/EPDM
A04311	DIAPHRAGM - 2 PLY TEFLON
A07001	GASKET - CARBON TEFLON
A07005	GASKET - VITON
A07906	GASKET - EPDM
A08003	HEAD - 316ss
A08004	HEAD - ALUM
A08007	HEAD - 316ss TFE CO
A08008	HEAD - ALUM TFE CO
A08020	HEAD - HAST C
A08021	HEAD - HAST C TFE CO
A08073	HEAD - ELECTRO POLISH
A08093	HEAD - SILCONERT
A08098	HEAD - DURSAN
A16001	PLATE - 316ss
A16002	PLATE - ALUM
A16005	PLATE - 316ss TFE CO
A16006	PLATE - ALUM TFE CO
A16020	PLATE - HAST C
A16021	PLATE - HAST C TFE CO
A16071	PLATE - ELECTRO POLISH
A16091	PLATE - SILCONERT
A16098	PLATE - DURSAN
A19301	PLATE SCREW - 316ss
A19328	PLATE SCREW - 316ss TFE CO
A19315	PLATE SCREW - HAST C
A19371	PLATE SCREW - ELECTRO POLISH
A19397	PLATE SCREW - SILCONERT
A19398	PLATE SCREW - DURSAN

ADC-157 04/22/20

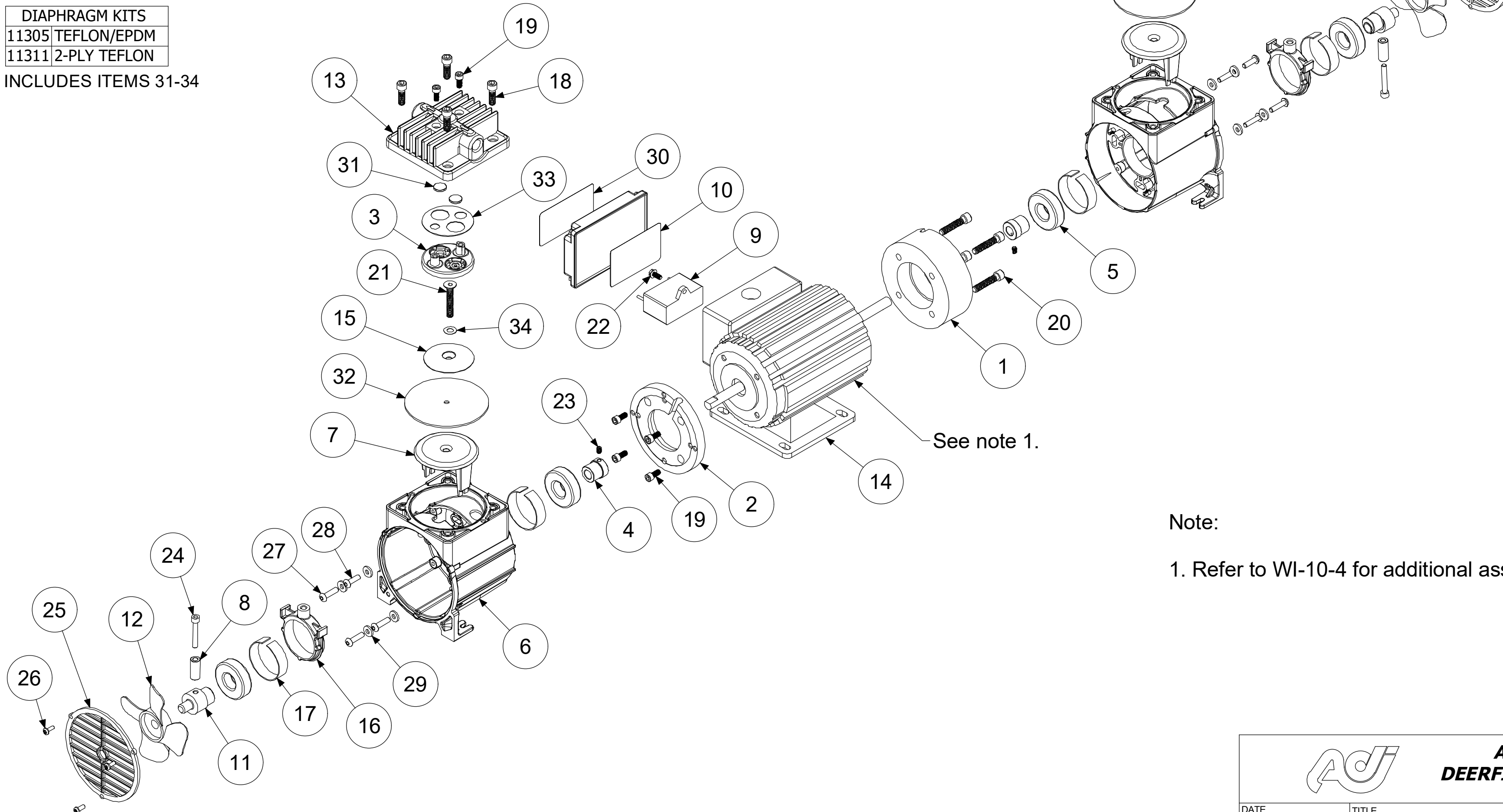
ADC-120 07/21/21

ITEM	QTY	PART NUMBER	DESCRIPTION	ITEM	QTY	PART NUMBER	DESCRIPTION
1	1	A01310	ADAPTOR	18	8	A19005	SCREW
2	1	A01311	ADAPTOR	19	8	A19013	SCREW
3	2	A02005	VALVEBODY	20	4	A19017	SCREW
4	2	A02310	BUSHING	21	2	A19301	PLATE SCREW
5	4	A02311	BEARING	22	1	A19306	SCREW
6	2	A02322	HOUSING	23	2	A19308	SET SCREW
7	2	A03301	CAP	24	2	A19309	SCREW
8	2	A03302	CWEIGHT	25	2	A19321	SCREEN
9	1	A03317	CAPACITOR	26	6	A19322	SCREW
10	1	A04351	WIRING DIAGRAM	27	6	A19326	SCREW
11	2	A05305	ECCENTRIC	28	2	A19326A	SCREW
12	2	A06310	FAN	29	8	A23302	WASHER
13	2	A08003	HEAD	30	1	LAB-UL-A13310-1	LABEL UL
14	1	A13310	Mini TENV	31	4	*A04004	DISC-VALVE
15	2	A16001	PLATE-DIAPH.	32	2	*A04301	DIAPHRAGM
16	2	A18301	CONN. ROD	33	2	*A07001	GASKET
17	4	A18302	TOL. RING	34	2	*A23001	WASHER

***RECOMMENDED SPARE PARTS KITS**

DIAPHRAGM KITS	
11305	TEFLON/EPDM
11311	2-PLY TEFLON

INCLUDES ITEMS 31-34



Note:
1. Refer to WI-10-4 for additional assembly instructions.

MOTOR DESCRIPTION:
A13310 1/20HP 115V 50/60Hz 1Ph (12uF) or 230V 50/60Hz 1Ph (3uF)

		AIR DIMENSIONS INC. DEERFIELD BEACH, FL. USA 33442 WWW.AIRDIMENSIONS.COM	
DATE	11/27/2018	TITLE	M-Series Double Div. 2 Pump
APPROVED BY	FDM	DWG NO	Mxx2-xx-Wx5
		MODEL #	Mxx2-xx-Wx5
		SHEET 2 OF 2	

07/21 (2124)