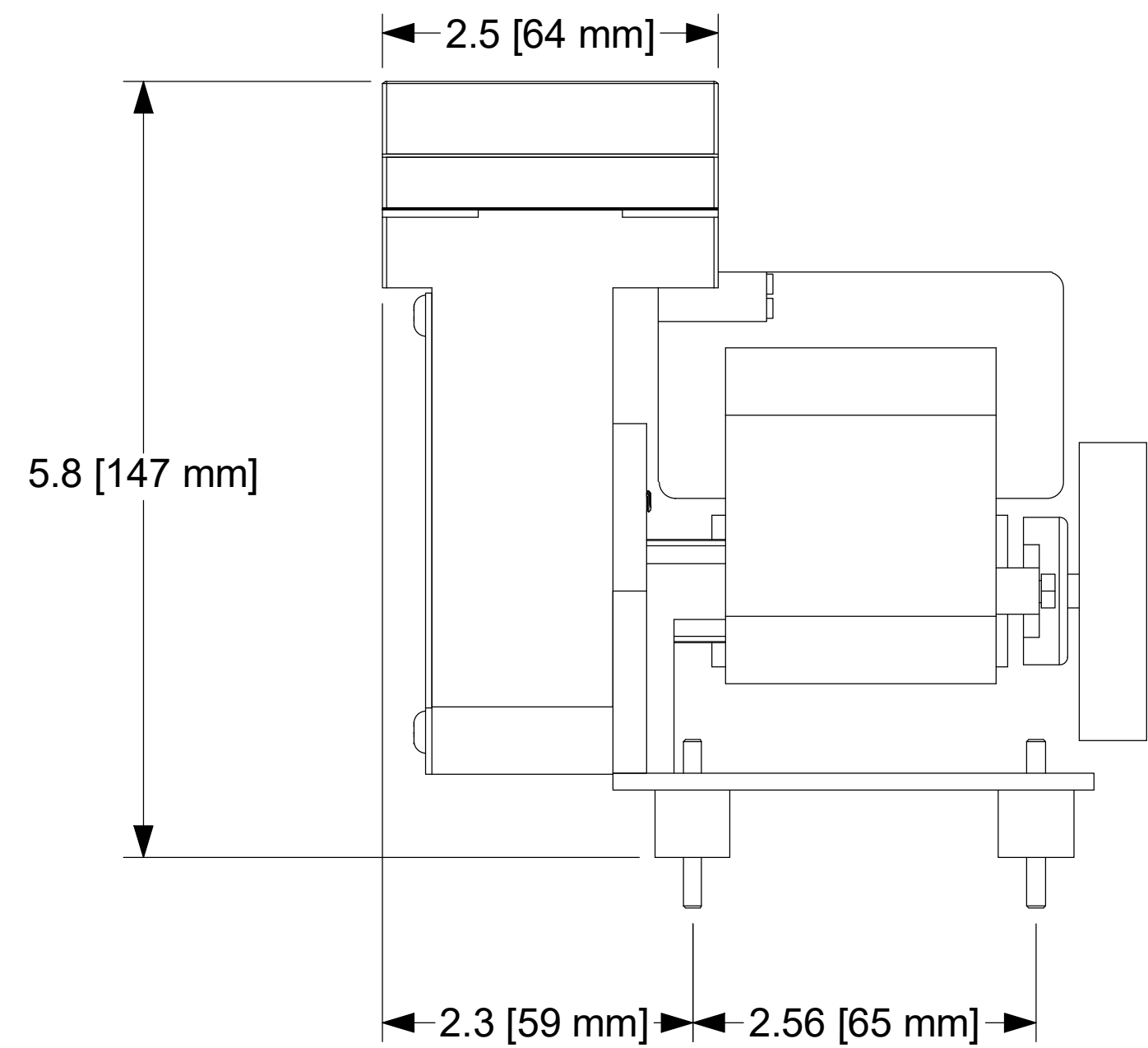
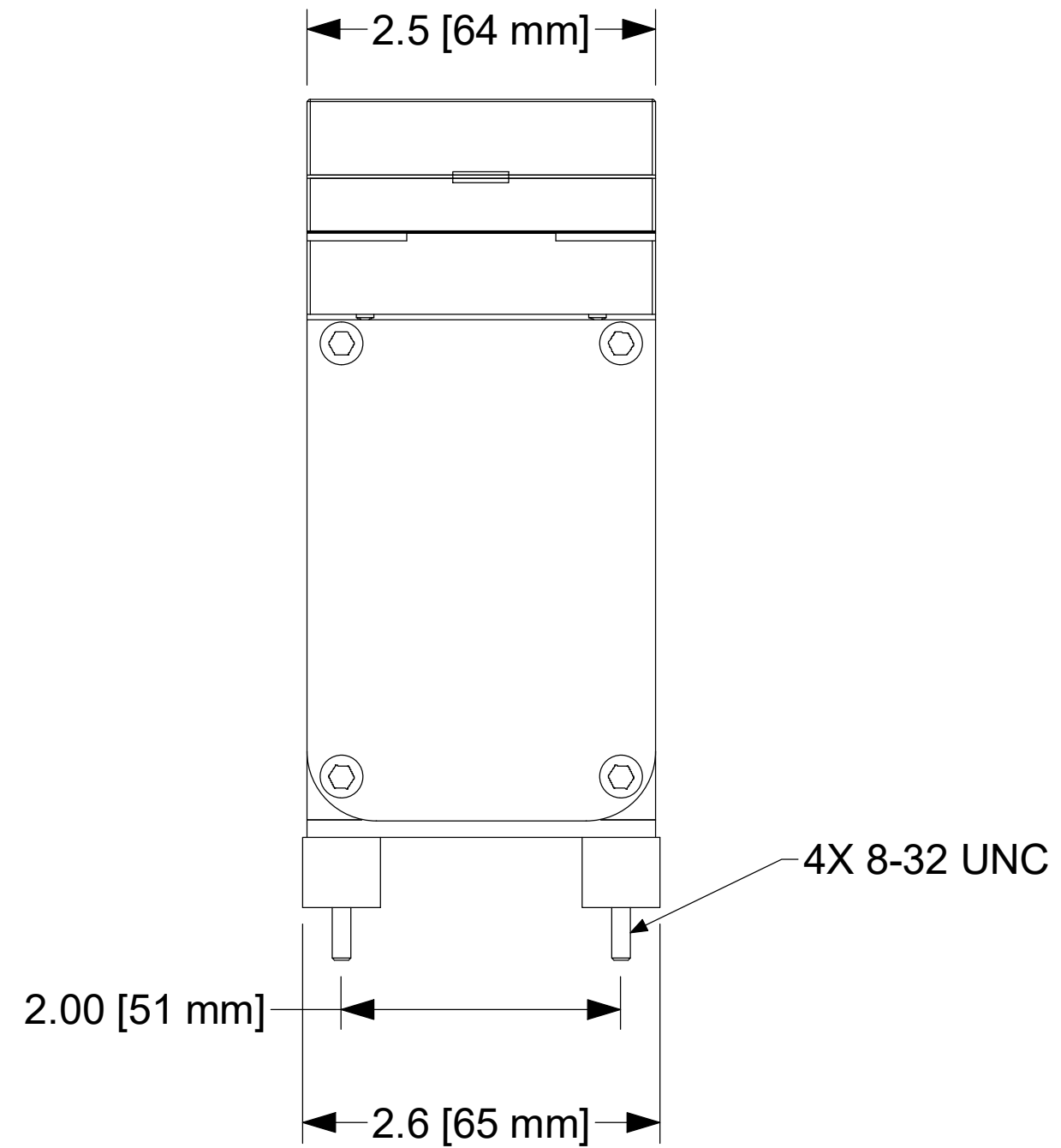



**Alternate mounting options.
(Pump shown without isolators.)**



		AIR DIMENSIONS INC. DEERFIELD BEACH, FL. USA 33442 WWW.AIRDIMENSIONS.COM	
		DATE 4/10/2019	TITLE J-Series Pump
10/20 (2131)		DWG NO Jxx1-xx-Axx	SHEET 1 OF 2