

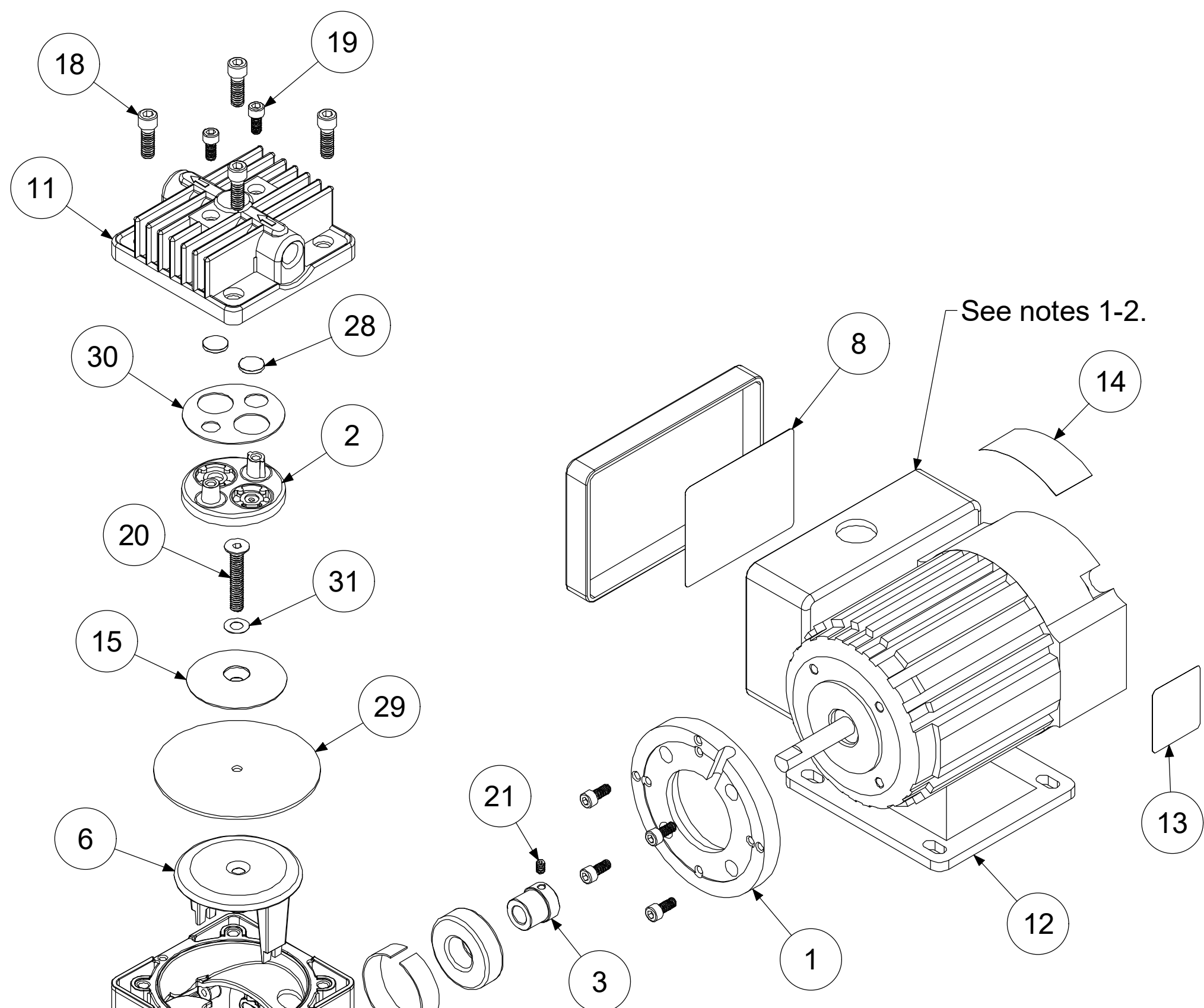
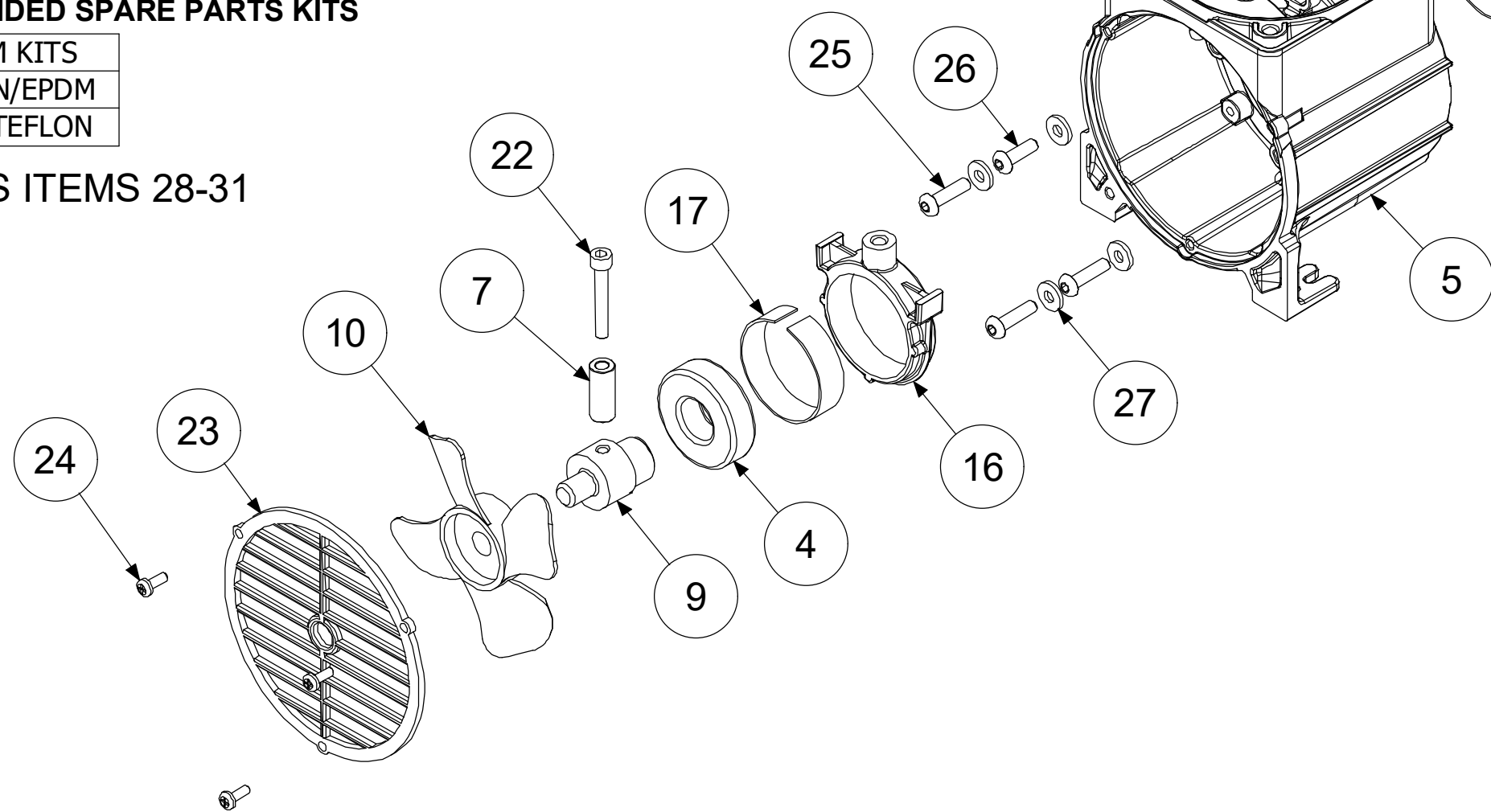
Parts List

ITEM	QTY	PART NUMBER	DESCRIPTION
1	1	A01311	ADAPTOR
2	1	A02005	VALVEBODY
3	1	A02310	BUSHING
4	2	A02311	BEARING
5	1	A02322	HOUSING
6	1	A03301	CAP
7	1	A03302	CWEIGHT
8	1	A04350	WIRING DIAGRAM
9	1	A05305	ECCENTRIC
10	1	A06310	FAN
11	1	A08003	HEAD
12	1	A13312	MOTOR
13	1	A14350	LABEL ATEX
14	1	A14351	LABEL WARNING
15	1	A16001	PLATE-DIAPH.
16	1	A18301	CONN. ROD
17	2	A18302	TOL. RING
18	4	A19005	SCREW
19	6	A19013	SCREW
20	1	A19301	PLATE SCREW
21	1	A19308	SET SCREW
22	1	A19309	SCREW
23	1	A19321	SCREEN
24	3	A19322	SCREW
25	3	A19326	SCREW
26	1	A19326A	SCREW
27	4	A23302	WASHER
28	2	*A04004	DISC-VALVE
29	1	*A04301	DIAPHRAGM
30	1	*A07001	GASKET
31	1	*A23001	WASHER

\*RECOMMENDED SPARE PARTS KITS

DIAPHRAGM KITS	
11305	TEFLON/EPDM
11311	2-PLY TEFLON

INCLUDES ITEMS 28-31



Notes:

1. For 115V operation, replace existing motor capacitor with part# A03317 (12uF) and rewire per diagram.
2. Refer to WI-10-11 for additional assembly instructions.

ALTERNATE AND OPTIONAL PARTS

PART #	DESCRIPTION
A02005	VALVEBODY - 316ss
A02006	VALVEBODY - ALUM
A02009	VALVEBODY - 316ss TFE CO
A02010	VALVEBODY - ALUM TFE CO
A02023	VALVEBODY - HAST C
A02024	VALVEBODY - HAST C TFE CO
A02075	VALVEBODY - ELECTRO POLISH
A02095	VALVEBODY - SILCONERT
A02098	VALVEBODY - DURSAN
A04004	DISC-VALVE - CARBON TEFLON
A04007	DISC-VALVE - 416ss
A04301	DIAPHRAGM - TEFLON/EPDM
A04311	DIAPHRAGM - 2 PLY TEFLON
A07001	GASKET - CARBON TEFLON
A07005	GASKET - VITON
A07906	GASKET - EPDM
A08003	HEAD - 316ss
A08004	HEAD - ALUM
A08007	HEAD - 316ss TFE CO
A08008	HEAD - ALUM TFE CO
A08020	HEAD - HAST C
A08021	HEAD - HAST C TFE CO
A08073	HEAD - ELECTRO POLISH
A08093	HEAD - SILCONERT
A08098	HEAD - DURSAN
A16001	PLATE - 316ss
A16002	PLATE - ALUM
A16005	PLATE - 316ss TFE CO
A16006	PLATE - ALUM TFE CO
A16020	PLATE - HAST C
A16021	PLATE - HAST C TFE CO
A16071	PLATE - ELECTRO POLISH
A16091	PLATE - SILCONERT
A16098	PLATE - DURSAN
A19301	PLATE SCREW - 316ss
A19328	PLATE SCREW - 316ss TFE CO
A19315	PLATE SCREW - HAST C
A19371	PLATE SCREW - ELECTRO POLISH
A19397	PLATE SCREW - SILCONERT
A19398	PLATE SCREW - DURSAN

ADC-120 07/21/21



**AIR DIMENSIONS INC.**  
**DEERFIELD BEACH, FL. USA 33442**  
[WWW.AIRDIMENSIONS.COM](http://WWW.AIRDIMENSIONS.COM)

DATE 11/1/2018	TITLE M-Series Single ATEX Zone 2 Pump
APPROVED BY FDM	DWG NO Mxx1-xx-Zx5
	MODEL # Mxx1-xx-Zx5
	SHEET 2 OF 2

MOTOR DESCRIPTION:

A13312 1/20HP 115V 50/60Hz 1Ph (12uF) or 230V 50/60Hz 1Ph (3uF)

07/21 (2124)