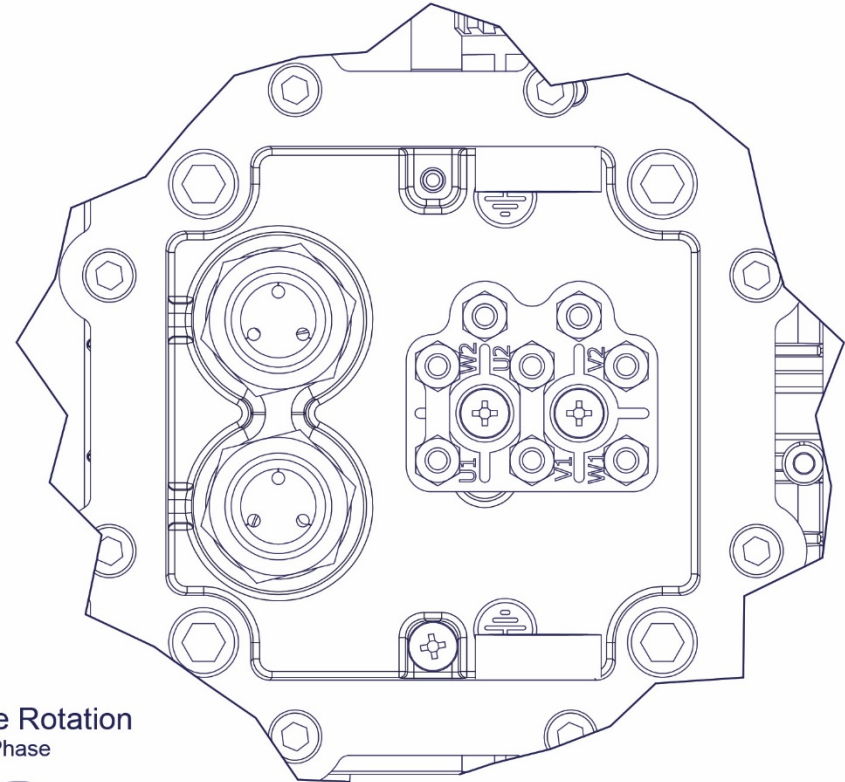
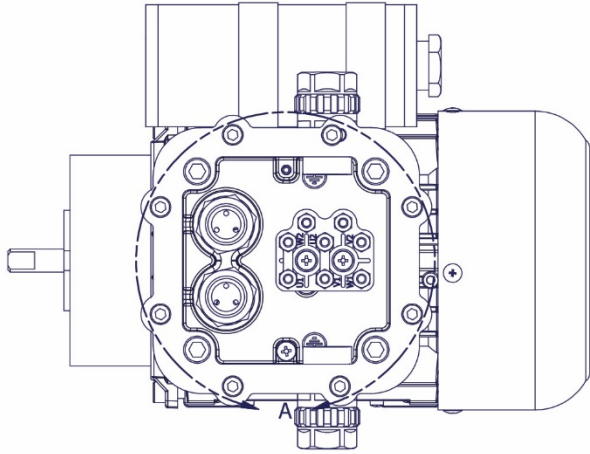
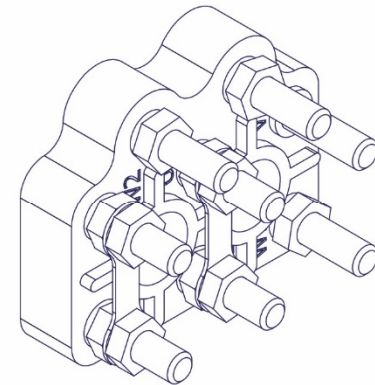
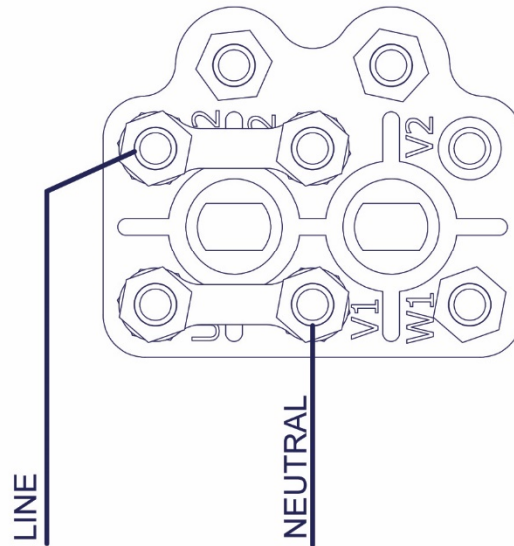
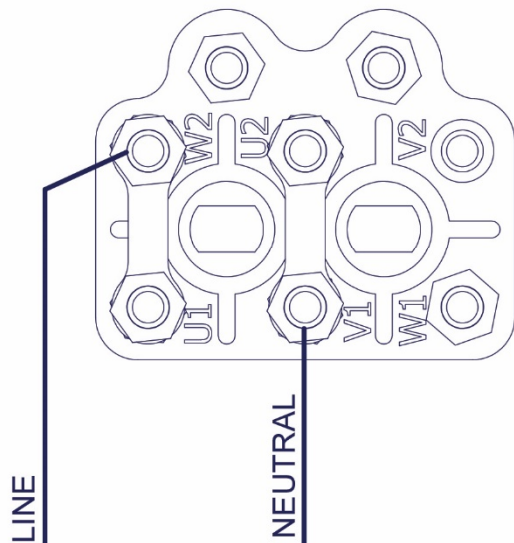


Wiring Diagram and Jumper Location for Elprom ATEX motors



Clockwise Rotation
230 Volt Single Phase

Counter Clockwise Rotation
230 Volt Single Phase



Note:

1. PTO has been pre-wired into motor.